



### More Usable Energy

100% Depth of Discharge  
Pack Level Energy Optimization



### Flexible Investment

5kWh Modular Design, Scalable  
from 5 to 30 kWh



### Safe & Reliable

4-layer Safety Protection  
IP66



### Easy Installation

12 kg Power Module  
50 kg Battery Module



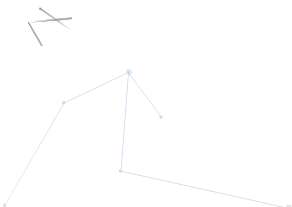
### Quick Commissioning

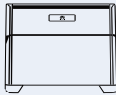


Automatically Detected in APP



### Perfect Compatibility

Compatible to  
Single & Three Phase Inverters



Technical Specification	LUNA2000-5-S0	LUNA2000-10-S0	LUNA2000-15-S0
			

Performance			
Power module	LUNA2000-5KW-C0		
Number of power modules	1		
Battery module	LUNA2000-5-E0		
Battery module energy	5 kWh		
Number of battery Modules	1	2	3
Battery usable energy <sup>1</sup>	5 kWh	10 kWh	15 kWh
Max. output power	2.5 kW	5 kW	5 kW
Peak output power	3.5 kW, 10 s	7 kW, 10 s	7 kW, 10 s
Nominal voltage (single phase system)	450 V		
Operating voltage range (single phase system)	350 – 560V		
Nominal voltage (three phase system)	600 V		
Operating voltage range (three phase system)	600 – 980V		

Communication	
Display	SOC status indicator, LED indicators
Communication	RS485 / CAN (only for parallel operation)

General Specification			
Dimension (W*D*H)	670 * 150 * 600 mm (26.4 * 5.9 * 23.6 inch)	670 * 150 * 960 mm (26.4 * 5.9 * 37.8 inch)	670 * 150 * 1320 mm (26.4 * 5.9 * 60.0 inch)
Weight (Floor stand toolkit included)	63.8 kg (140.7lb)	113.8 kg (250.9lb)	163.8 kg (361.1lb)
Power module dimension (W*D*H)	670 * 150 * 240 mm (26.4 * 5.9 * 9.4 inch)		
Power module weight	12 kg (26.5lb)		
Battery module dimension (W*D*H)	670 * 150 * 360 mm (26.4 * 5.9 * 14.0 inch)		
Battery module weight <sup>2</sup>	50 kg (110.2 lb)		
Installation	Floor stand (standard), Wall mount (optional)		
Operating temperature <sup>3</sup>	-20°C ~ + 55°C (-4°F ~ 131°F)		
Max. operating altitude	4,000 m (13,123 ft.) (Derating above 2,000 m)		
Environment <sup>4</sup>	Outdoor / Indoor		
Relative humidity	5% ~ 95%		
Cooling	Natural convection		
Protection rating	IP 66		
Noise emission	< 29 dB		
Cell technology	Lithium-iron phosphate (LiFePO4)		
Compatible inverters <sup>5</sup>	SUN2000-2/3/3.68/4/4.6/5/6KTL-L1, SUN2000-8/10K-LC0 SUN2000-3/4/5/6/8/10KTL-M1, SUN2000-12/15/17/20/25K-MB0		

Standard Compliance (more available upon request)	
Certificates	CE, RCM, CEC, VDE2510-50, IEC62619, IEC 60730, UN38.3

Ordering and Deliverable Part	
Product ordering model <sup>6</sup>	LUNA2000-5KW-C0, LUNA2000-5-E0, LUNA2000 Wall Mounting Bracket

1. Test conditions: 100% depth of discharge (DoD), 0.2C rate charge & discharge at 25°C, at the beginning of life. If no PV modules are installed or the system has not detected sunlight for at least 24 hours, the minimum end of discharge SOC is 15%.

2. The weight of the battery module is subject to the actual product, with a tolerance of ±3%.

3. Refer to battery warranty letter for conditional application.

4. Outdoor installation is recommended. For indoor installation, refer to the user manual for instruction.

5. Please contact local engineer for the compatibility.

6. Storage system is ordered and delivered in the form of power module and battery module separately with corresponding quantity.